

2U Redundant | YH5301-1CxR



Features

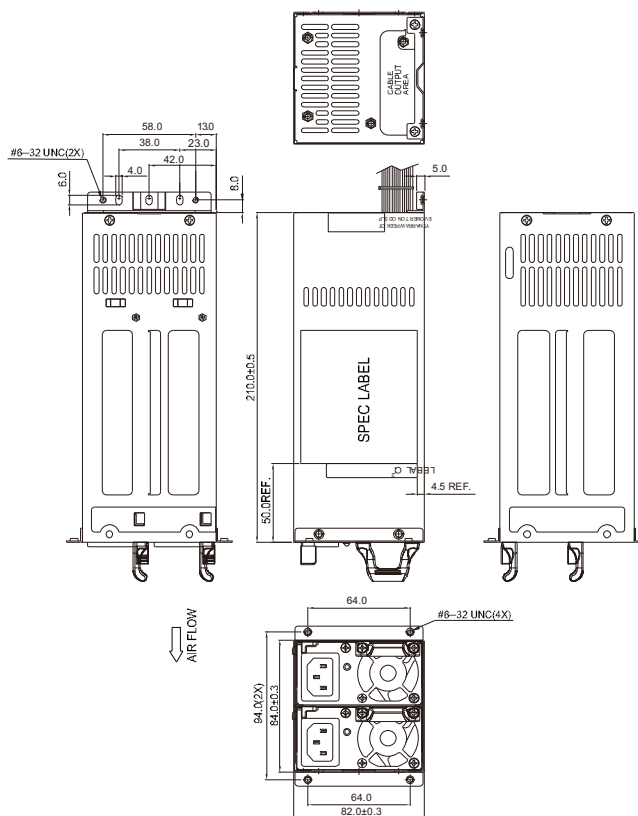
- Dimension (L x W x H) : 210.0 x 84.0 x 82.0 (mm)
- N+1 Redundant
- Support PMBus
- Application for IPC, Storage, Embedded server, Networking



* Redundant Module : YM-2301HxR

Specifications

Total Output	300W
Input Voltage	90 - 264 VAC
Input Frequency	47 - 63 Hz
Efficiency	75% at Max load of 230VAC
Input Current	5.0A max at 115VAC, 2.5A max at 230VAC
Inrush Current	80A max at 115VAC, 150A max at 230VAC
Power Factor	> 0.98
Earth Leakage Current	3.5mA max at 264VAC / 50Hz
Hold Up Time	> 14 mS / 115VAC
Over Current Protection	+3.3V : 22.0A ~ 30.0A +5V : 22.0A ~ 30.0A +12V : 26.4A ~ 36.0A
Over Voltage Protection	+3.3V : 3.9V ~ 4.5V +5V : 5.7V ~ 6.5V +12V : 13.3V ~ 14.5V
Short Circuit Protection	No damage, resistance $\leq 0.01 \Omega$
MTBF	100 kHrs per Bellcore SR-332 Issue2 at 25°C ambient
Operating Temperature	0 to 40 °C
Operating Humidity	5 - 90%, Non-condensing
Storage Temperature	-40 °C to +70 °C



Output	Minimum Load	Maximum Load	Condition	Ripple & Noise
+3.3 V	0.5 A	20 A	+3.3 V & +5 V combined power ≤ 140 W	50mV p-p
+5 V	0.5 A	20 A		50mV p-p
+12 V	2.0 A	24 A		120mV p-p
-12 V	0.1 A	0.5 A		120mV p-p
+5 VSB	0 A	4.0 A		50mV p-p